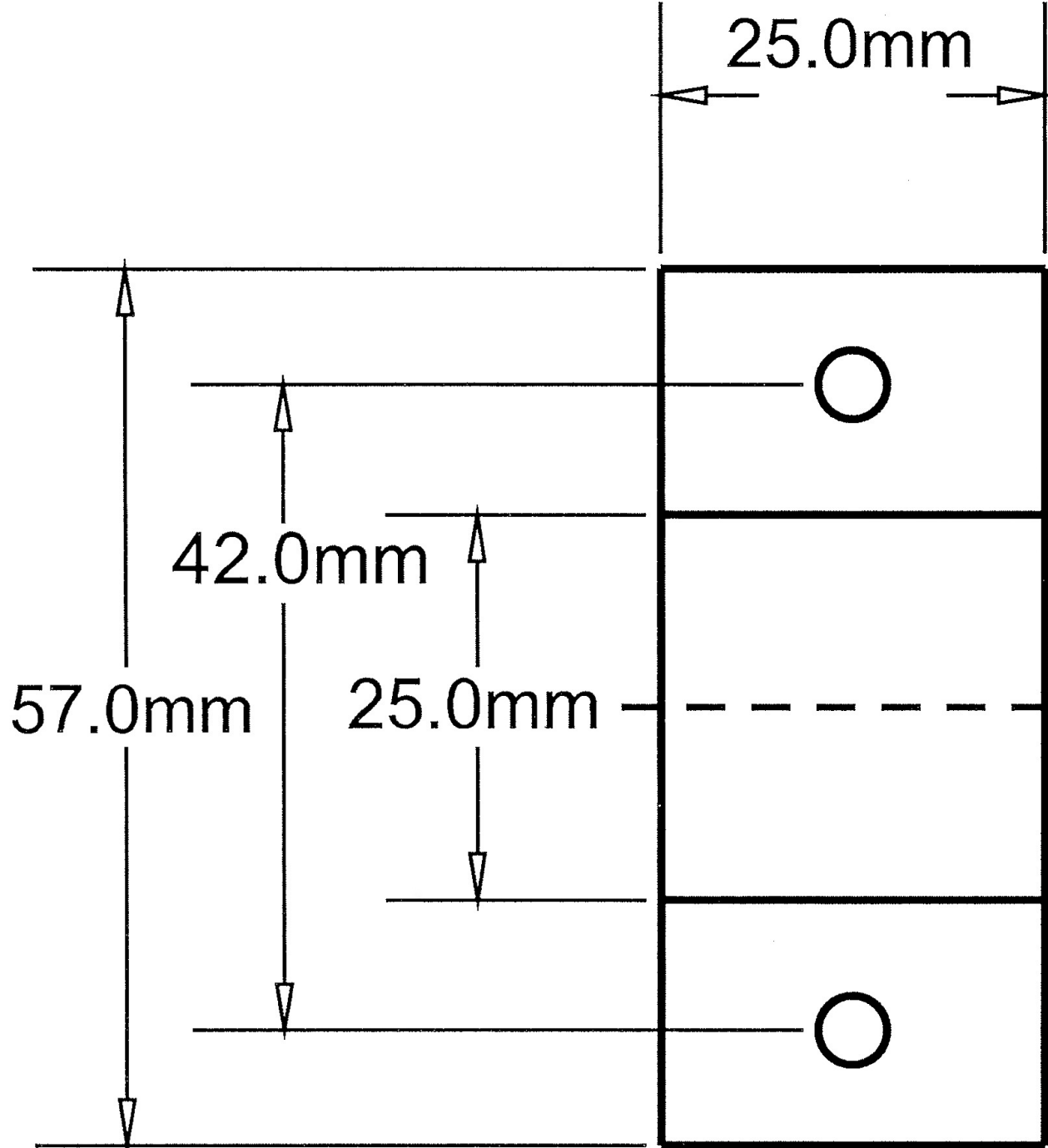


H15-H16



Screw-sliding design,
Pls drill hole as to
real position

